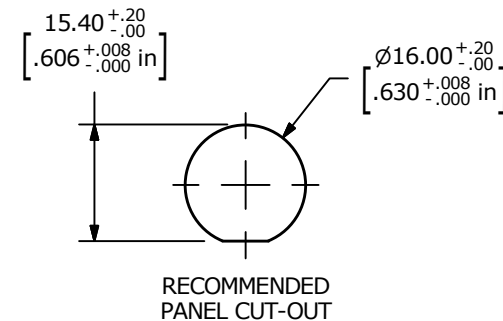
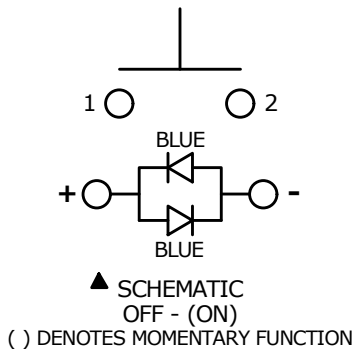


- NOTE:
1. ALL DIMENSIONS IN MM [INCH]
  2. GENERAL TOLERANCE: X.X = ±0.4  
X.XX = ±0.25
  3. TERMINAL NUMBERS FOR REF ONLY
  4. CONTACT MATERIAL: SILVER PLATED
  5. RATING: 2A 36VDC
  6. ELECTRIC LIFE: 200,000
  7. INSULATION RESISTANCE: 1,000MΩ MIN @ 500VDC.
  8. DIELECTRIC STRENGTH: 2,000VAC MIN. FOR 1 MINUTE
  9. CONTACT RESISTANCE: 50mΩ MAX. @ 1A 12VDC
  10. OPERATING TEMP.: -20°C to 70°C
  11. TRAVEL: 2.0mm
  12. ▲ DENOTES CRITICAL PARAMETER.
  - ▲ 13. ILLUMINATION COLOR: BLUE
  14. HARDWARE SUPPLIED: O-RING AND HEXNUT (NOT SHOWN)
  - ▲ 15. ILLUMINATION VOLTAGE RATING: 2.8 - 3.7V @ 20 mA
  16. INGRESS PROTECTION: IP67



|     |        |                                   |         |     |
|-----|--------|-----------------------------------|---------|-----|
| B   | 23587  | UPDATED FINISH TO STAINLESS STEEL | 10/3/18 | MJR |
| A   | 22727  | New Release                       | 2/16/17 | MW  |
| REV | PCR NO | DESCRIPTION                       | DATE    | BY  |

|                   |                |       |             |       |
|-------------------|----------------|-------|-------------|-------|
| TITLE PVA6FEW4S41 |                |       |             |       |
| SCALE 1:1         | DATE 2/16/2017 | DR MW | DWG T960012 | REV B |

THE INFORMATION CONTAINED IN THIS DOCUMENT IS PROPRIETARY TO E-SWITCH AND IS NOT TO BE COPIED OR TRANSFERRED